

Form sheet for an inquiry

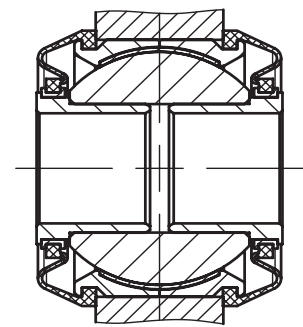
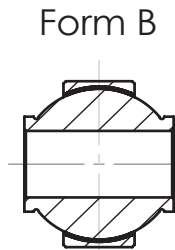
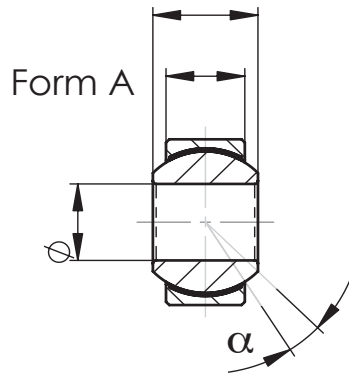
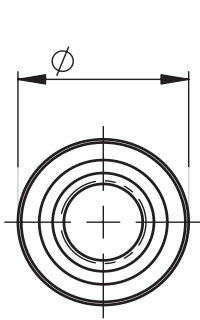
Please give us on this paper all the informations like meassures, required design and quantities, and send this to our fax no.

+49 (0)7402/183-10

You will get the quotation immediately

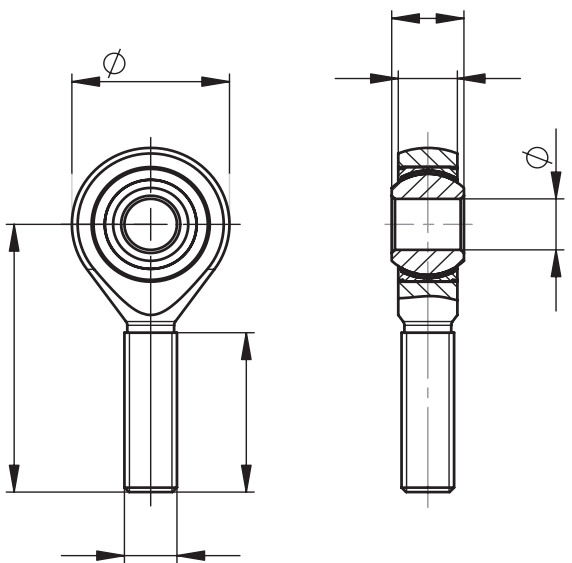
To complete: Company: _____ Contact: _____ Tel.: _____

Tick where applicable

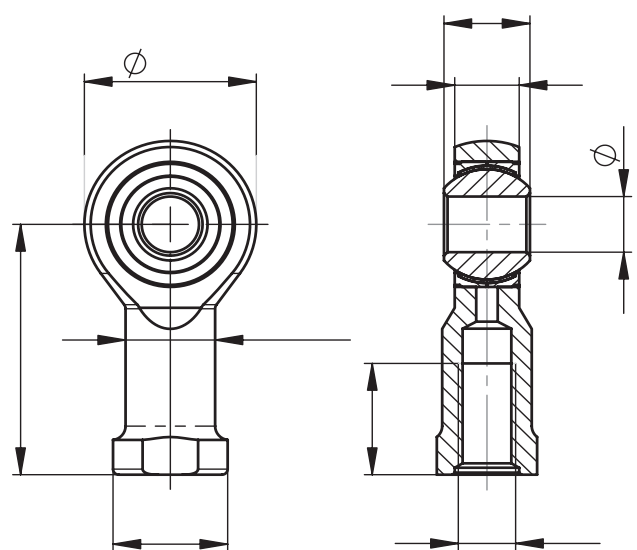


sealed Version

Form : A B
 Material Inner ring : _____
 Material Outer ring : _____
 Maintenance free : yes no
 sealed :
 Angle of misalignment α ?:? _____
 Quantity : _____



Material Rod End : _____
 Material Inner ring : _____
 Material Outer ring : _____
 Maintenance free : yes no
 sealed :
 Angle of misalignment α : _____
 Quantity : _____



Material Rod End : _____
 Material Inner ring : _____
 Material Outer ring : _____
 Maintenance free : yes no
 sealed :
 Angle of misalignment α : _____
 Quantity : _____