

### **Highest Precision at Perfect Machine Utilization**

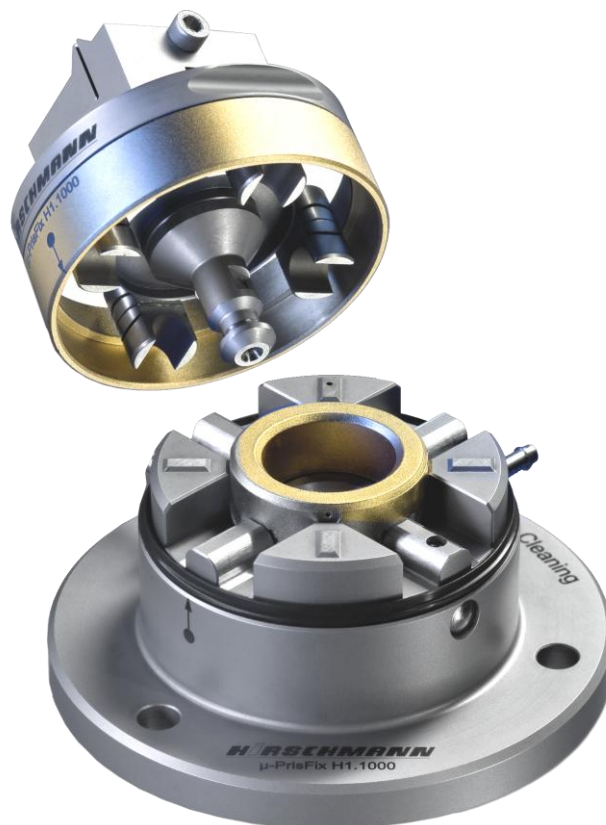
**On AMB exhibition HIRSCHMANN GmbH from Baden-Württemberg presents new developments like for example the High-End Clamping System  $\mu$ PrisFix nano or  $\mu$ -PrisFix Hollow Axle Clamper for machining of parts.**

**Fluorn-Winzeln (pm) – HIRSCHMANN GmbH in Winzeln (Baden-Württemberg) is considered among the 100 most innovative enterprises of Germany – not long ago the company was awarded with the label TOP 100. What this means in practice can be seen on exhibition AMB in Stuttgart, 18 - 22 September 2018 in Hall 7, Stand C53, where HIRSCHMANN GmbH presents the newest developments like High-End Clamping System  $\mu$ PrisFix nano,  $\mu$ PrisFix Hollow Axle Clamper or the extremely flat Zero Point Clamping System  $\mu$ PrisFix-Flat.**

Precise machining of parts – this is a challenge for a lot of manufacturers. Innovative machines are a decisive factor for efficiency in medical technology, automotive engineering, precision mechanics or in optical industry. For efficient machining of parts HIRSCHMANN GmbH developed rotary indexing tables with compatible reference and clamping systems.

## **Precision at its Best: High-End System $\mu$ PrisFix nano**

One of the newest precise innovations is the High-End System  $\mu$ -PrisFix nano, the most precise zero-point clamping system in the world for applications as wire EDM, sinking EDM, EDM drilling, laser machining or high-speed cutting. The system reaches a repetitive accuracy of  $\leq 0,1 \mu$  (unclamping and clamping in the same clamber) and a changing accuracy of  $\leq 0,5 \mu$  (clamber to clamber). "With the zero-point clamping system  $\mu$ -PrisFix nano these excellent values can be reached for the whole manufacturing process"; says CTO Rainer Harter. Workpiece is always exactly referenced in all axes and best placed for 360° machining. With the new system HIRSCHMANN GmbH demonstrates its extensive competence based on development activity and know-how of more than 60 years.

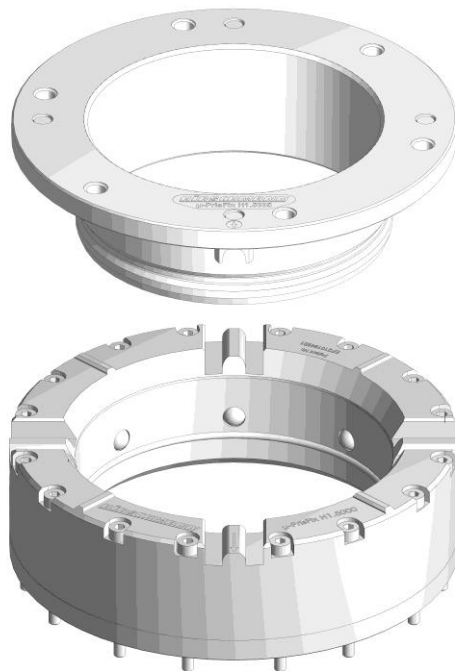


$\mu$ -PrisFix *nano*

Foto: HIRSCHMANN GMBH

## **New to the Market: Hollow Axle Clamping System $\mu$ -PrisFix**

The hollow axle clamber  $\mu$ -PrisFix is another new development of HIRSCHMANN GmbH which can be seen on AMB trade fair. Without any effort workpieces can be exactly positioned in a hollow axle or directly to the machine table. This offers the possibility of 360° machining of internal contours and creating of even extremely complex shapes. Previously, operators had to look for individual clamping solutions which are much more complicated and less precise. To obtain maximum inner diameter for workpiece HIRSCHMANN developed a clamping mechanism that needs minimum assembly space but offers highest flexibility in realization of various requirements. "Our new Hollow Axle Clamber  $\mu$ -PrisFix together with  $\mu$ -PrisFix-Flat hollow pallet can be adopted to nearly all imaginable customer specifications", so CTO Rainer Harter.

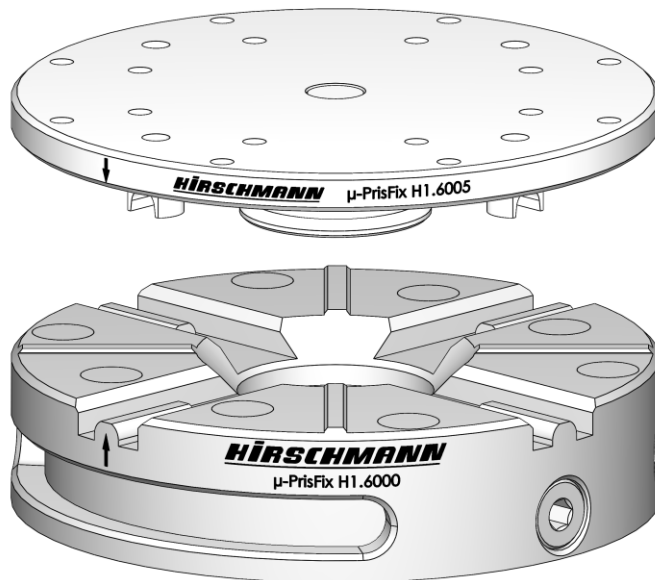


$\mu$ -PrisFix Hollow Axle Clamber

Foto: HIRSCHMANN GMBH

## **Extremely flat: Zero-Point Clamping System $\mu$ -PrisFix-Flat**

The manual Zero-Point Clamping System  $\mu$ -PrisFix-Flat has convincingly lower installation height as other products currently available on the market. The extremely flat reference clamping together with special designed workpiece holder is only 35 mm high. The significantly lower installation height helps manufacturers to optimize their processes. "As nearer as the workpiece for example during wire EDM can be placed to the lower injector as better is cutting performance", Norbert Weisser, Team Manager Design of HIRSCHMANN GmbH explains. The manual clamping system  $\mu$ -PrisFix Flat shows an attractive price-performance ratio and a short period of amortization and is the ideal product for current or future users of rotary indexing tables in manufacturing.

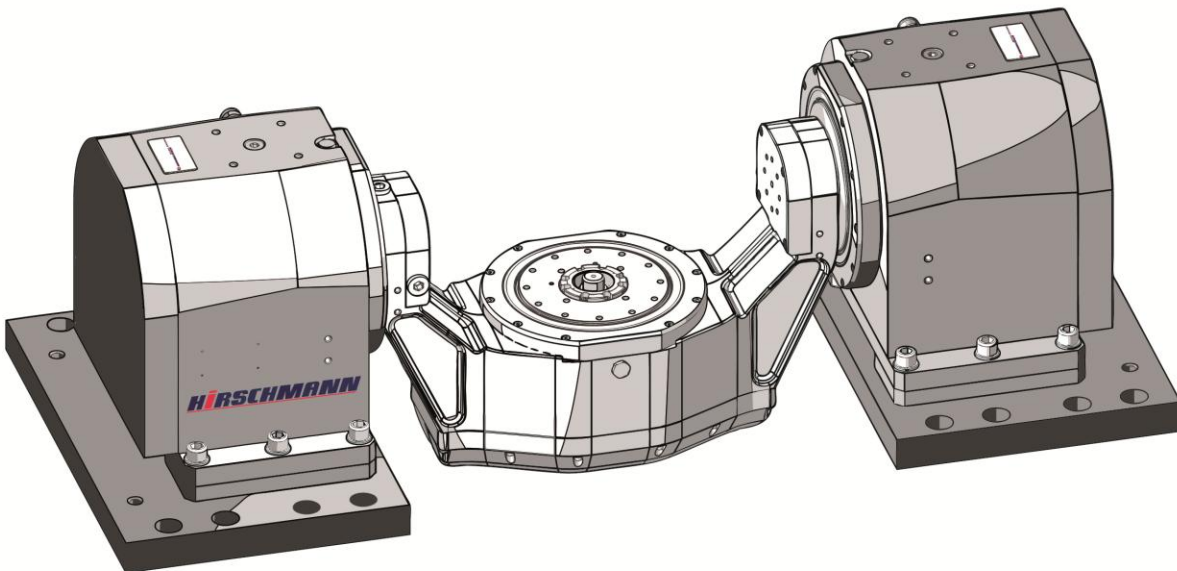


$\mu$ -PrisFix Flat

Foto: HIRSCHMANN GMBH

## **Rotating-Tilting Table for Laser Machining**

Especially for serial laser machining application in tool manufacturing HIRSCHMANN GmbH developed a 2-axial rotating-tilting table that combines highest dynamics and precision. "Our innovation is setting new standards in efficient laser machining of workpieces with tight curve radius or complex shapes. The present changes of movement require acceleration profiles which are at the limits of technical possibilities", explains CTO Rainer Harter. In this combined movement of rotation and tilt extremely high acceleration values are reached on T-axis and on R-axis. A water-cooled laser beam is cutting the part contour out of basic material and takes over also finishing process. The rotary indexing table is responsible for passing the workpieces directly along the laser beam.



Highspeed RT-Axis / Rotating-Tilting Table

Foto: HIRSCHMANN GMBH

Click here for pictures and information: [www.hirschmanngmbh.com/press](http://www.hirschmanngmbh.com/press)



Free of charge. Please send us a copy after publication.

Your contact person for press:

Florian Joos / +49 7402 183 66 / [florian.joos@hirschmanngmbh.de](mailto:florian.joos@hirschmanngmbh.de)

**Visit us on the exhibition AMB 2018 in Stuttgart, Hall 7, Stand C53**

Your Contact persons:

Sales Manager Rotary Indexing Tables: Bernd Reiner / +49 7402 183 53 / [bernd.reiner@hirschmanngmbh.de](mailto:bernd.reiner@hirschmanngmbh.de)

Sales Manager Reference Systems: Rolf Glück / +49 7402 183 31 / [rolf.glueck@hirschmanngmbh.de](mailto:rolf.glueck@hirschmanngmbh.de)

CTO: Rainer Harter / +49 7402 183 0 / [rainer.harter@hirschmanngmbh.de](mailto:rainer.harter@hirschmanngmbh.de)

#### **About HIRSCHMANN**

For more than 60 years HIRSCHMANN develops and manufactures trendsetting products amongst others for vehicle construction, motor sport, aerospace, railed vehicles, mechanical engineering, naval architecture and wind power plants. Core competences lie in the three product lines Rod Ends and Spherical Bearings, Rotary Indexing Tables and Reference Systems. In these sectors HIRSCHMANN has extensive expert knowledge and decades of experience. In addition to the wide range of our standard products we also offer customer-specific solutions. The medium-sized enterprise from Baden-Württemberg with sales subsidiaries in US and China now has about 200 employees. In 2018 HIRSCHMANN GmbH was elected into the TOP100 of most innovative medium-sized companies in Germany.