

## **New Rotating - Tilting Table for Tool Manufacturing Combines Highest Dynamics with Precision**

### **HIRSCHMANN GMBH developed 2-axial rotary indexing table for serial laser machining at maximum speed**

New developed 2-axial rotary indexing table by HIRSCHMANN GMBH for laser applications in tool manufacturing for the first time combines maximum speed and highest precision. The innovation is setting new standards in efficient laser machining of parts with tight curve radius or complex shapes. The presented changes of motion require acceleration profiles, lying at the limits of technical possibilities.

„In this motion combination of rotating and tilting extremely high acceleration values on the T-axis and the R-axis are reached“ says Rainer Harter, CTO of HIRSCHMANN GMBH. In cooperation with engine manufacturer Etel the company succeeded to reach the speeds requested by customer on a 2-axial rotary indexing table. For machining of parts a simultaneous motion between tilting and rotating axis is necessary, controlled by overall control system of production line.

### **Permanent High Speed**

With this application in serial production extremely robust tools for milling and turning processes are made. The contour is cutted out of basic material by an water guided and thus cooled laser beam, that is responsible also for finishing. The task of the rotary indexing table is to pass the work pieces – PCD (polycrystalline diamonds) or MCD (monocrystalline diamonds), hard metals or ceramics – directly along the laser beam.

And this in an exactly defined angle, in appropriate radius and with constant speed. Rainer Harter: „Even this was the special challenge. Because the laser has a defined energy content, a constant traverse speed is requested for precise material removal.“

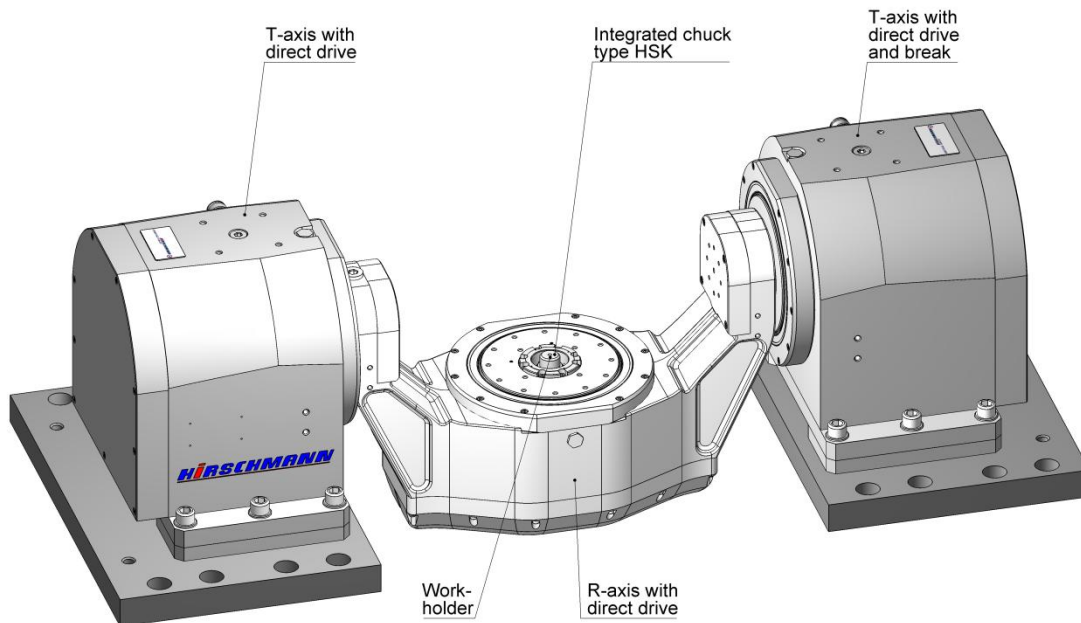
The new development of HIRSCHMANN GMBH meets all parameters, requested by Synova, a manufacturer from Switzerland specialized on manufacturing of laser machining equipment. "Hereby we reach acceleration values, that will enter new dimensions" says Rainer Harter. To reach this level intensive coordination with engine manufacturer Etel was necessary. The rotating-tilting table has a direct drive in both T-axial modules (tilting) and also integrated is a high-precise measuring system and the break function. The R-axis (rotation) is designed as rocker, equipped with own drive and an additional measuring system. Integrated in R-axis is the high-precise chuck HSK - A 63, developed by HIRSCHMANN, for clamping of work pieces to be machined. This compact clamber is especially designed for applications in tool machining. "The great advantage for our customers is, that we can deliver all out of one source. As a result of a complex manufacturing process and sophisticated assembling methods the component parts are adjusted to each other precisely and harmonize at its best", so Rainer Harter. The 2-axial rotating-tilting table is delivered by HIRSCHMANN as completely assembled unit, putting into service is made at works on a special test bench. "This allows us to guarantee functioning, to measure accuracy and to check performance data", argues HIRSCHMANN CTO.

### **The New Development also Optimizes Cutting Actions**

At the first step the 2-axial rotary indexing table made by HIRSCHMANN is used for laser applications. But it is planned, that the innovation is applied also for milling operation and other cutting actions, where higher accuracies are required. Thus precision of parts and machining processes can be improved and operating efficiency can be increased significantly.

Rotating-Tilting Table combines highest dynamics with precisic		T-axis	R-axis
Rotation axis		horizontal	vertical
Dimensions L / B / H	mm	1.195 / 400 / 452	
Diameter of face plate	mm	/	180
Speed	rpm	/	1.200
Total weight	kg	425	
Permanent magnetic brake - holding force	Nm	140	/
Concentric and axial run-out	mm	> 0,003	
Integrated precision chuck Hirschmann HSK 63 A	Angularity / stagger acc. base (in distance 100mm)	mm	> 0,002
	Parallelism acc. base	mm	> 0,002
Heidenhain Angle encoder module	System accuracy	sec	±0,9    ±0,9

Hirschmann GmbH / 2017 06



2-axial Rotary Indexing Table for seriell laser machining with maximum speed. Picture:  
HIRSCHMANN GMBH

Click here for pictures and information: [www.hirschmanngmbh.com/press](http://www.hirschmanngmbh.com/press)



Free of charge. Please send us a copy after publication.

Your contact person for press:

Florian Joos / +49 7402 183 66 / [florian.joos@hirschmanngmbh.de](mailto:florian.joos@hirschmanngmbh.de)

**Visit us on the exhibition AMB 2018 in Stuttgart, Hall 7, Stand C53**

Your Contact persons:

Sales Manager Rotary Indexing Tables: Bernd Reiner / +49 7402 183 53 / [bernd.reiner@hirschmanngmbh.de](mailto:bernd.reiner@hirschmanngmbh.de)

Sales Manager Reference Systems: Rolf Glück / +49 7402 183 31 /  
[rolf.glueck@hirschmanngmbh.de](mailto:rolf.glueck@hirschmanngmbh.de)

CTO: Rainer Harter / +49 7402 183 0 / [rainer.harter@hirschmanngmbh.de](mailto:rainer.harter@hirschmanngmbh.de)

#### **About HIRSCHMANN**

For more than 60 years HIRSCHMANN develops and manufactures trendsetting products amongst others for vehicle construction, motor sport, aerospace, railed vehicles, mechanical engineering, naval architecture and wind power plants. Core competences lie in the three product lines Rod Ends and Spherical Bearings, Rotary Indexing Tables and Reference Systems. In these sectors HIRSCHMANN has extensive expert knowledge and decades of experience. In addition to the wide range of our standard products we also offer customer-specific solutions. The medium-sized enterprise from Baden-Württemberg with sales subsidiaries in US and China now has about 200 employees. In 2018 HIRSCHMANN GmbH was elected into the TOP100 of most innovative medium-sized companies in Germany.